

### CHIP RESISTOR

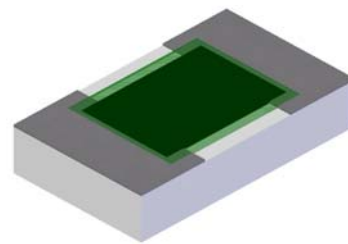
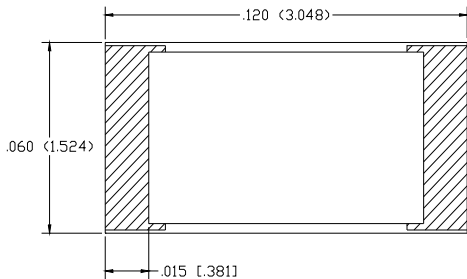
#### Features:

- ◆ Alumina Material
- ◆ Back Metallization
- ◆ .5 to 1 Mohm

#### General Description:

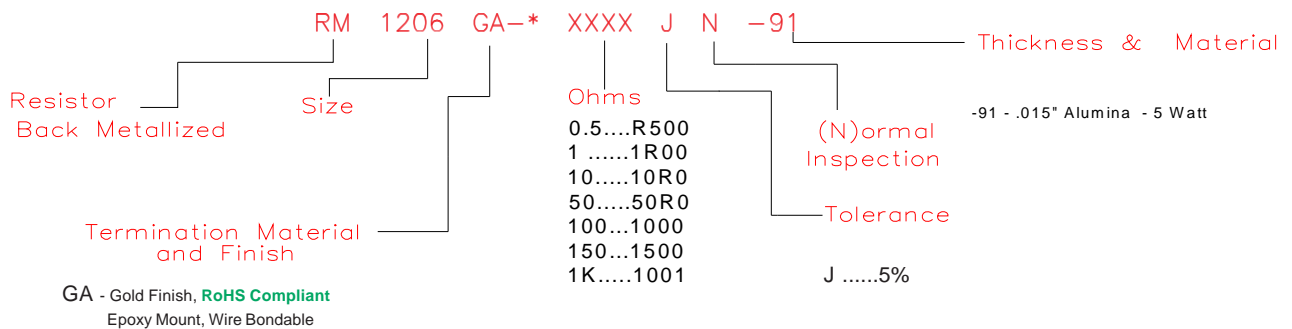
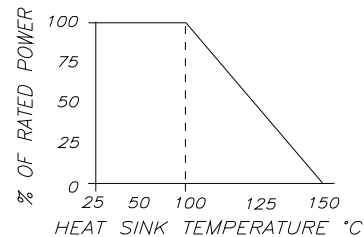
The RM1206GA-\*XXXXJN-91 is a 50 ohm standard back metallization style chip resistor (.5 - 1Mohm available). Its compact size is ideal for miniature electronic components.

\* See below for ordering options



Dimensions in inches [mm]  
Tolerance ± .005 [.127]  
unless otherwise stated

DERATING CURVE:



Barry Industries reserves the right to change part number and or process without notification.

Barry Industries, Inc., 60 Walton St., Attleboro, MA 02703 T: 508-226-3350 F: 508-226-3317 E-mail: ABSales@Vishay.com

Barry Industries maintains an ISO 9001 Certified Quality Management System

Origination Date	Revision Date	Rev.
09/29/09	09/29/09	-